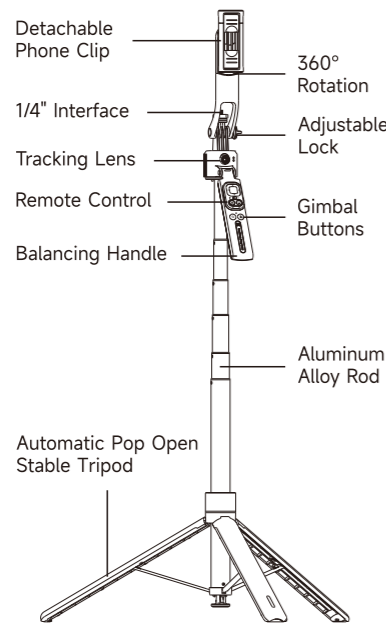
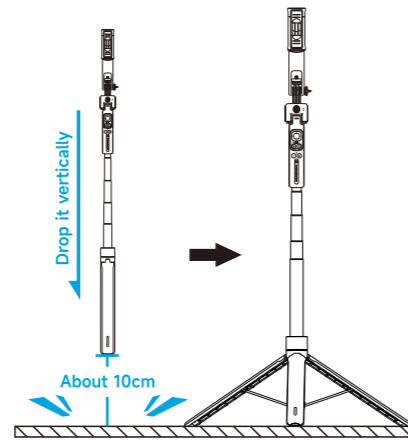


**Introduction**



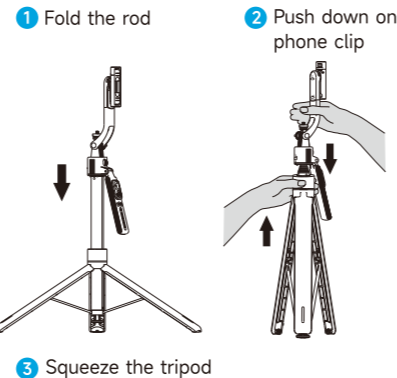
**Open Tripod**

Drop the TS4 vertically within 10 cm of the ground to automatically pop open the tripod.



**Remind:** Keep the tripod away from your head (or face) when it pops open!

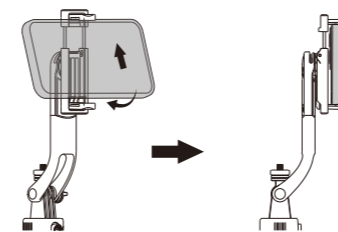
**Close Tripod**



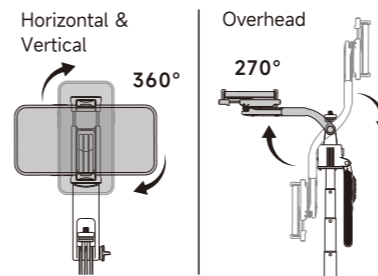
**Remind:** Be careful with your hands.

**Mount Phone**

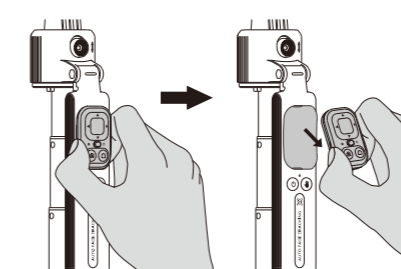
Push the phone mount with the phone and secure the phone.



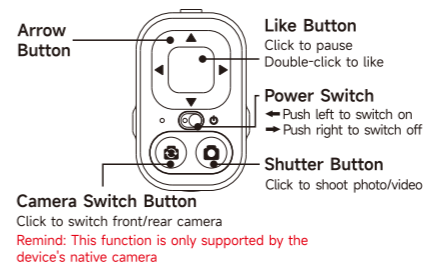
**Adjust Phone**



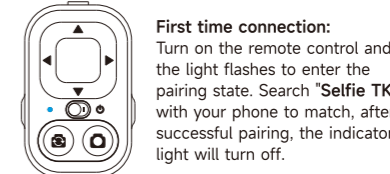
**Take Out The Remote Control**



**Use The Remote Control**



**Remote Connection**



**In the unconnected state:** No operation of the remote control for 5 mins, it will automatically shut down. (Repeatedly toggle the power key to turn on)

**Automatic connection:** Turning on the remote control automatically connects the paired phone.

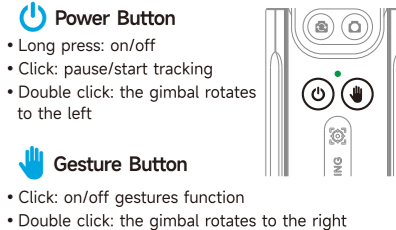
iOS devices need to enable the zoom function in system settings.

Steps: Settings->Accessibility->Zoom->Turn on Zoom

After enabling Zoom, the screen will be zoomed in. Double-tap with three fingers to restore the screen to its original size.

**Before using any third-party app to take photos, you must enable the 'Volume Key Capture' feature in the app's settings to ensure proper functionality.**

**Using The Gimbal**

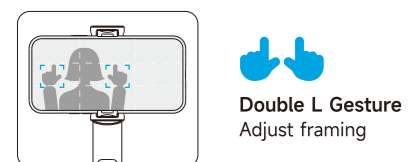


When the gimbal is in rotating mode, click the power button to stop rotating and light up red, then click again to return to the power on state.

**Gimbal Indicator Light**

Indicator Status	Gimbal Status
Green light always on	Gesture on + recognised to person
Green light flashing	Gesture on + not recognised to person
Blue light is always on	Gesture off + recognised person
Blue light flashing	Gesture off + not recognised
Red light is always on	Pause
Red light flashing	Low battery

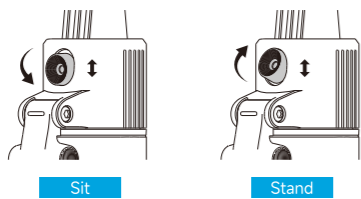
**Gesture Function**



\*After pause tracking, move to the designated location to make a double L gesture.

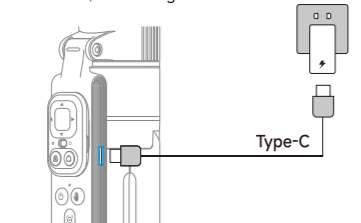
**Adjustable Gimbal Lens**

Just push the lens gently upward (Recommended for use within 1-4m of the gimbal)



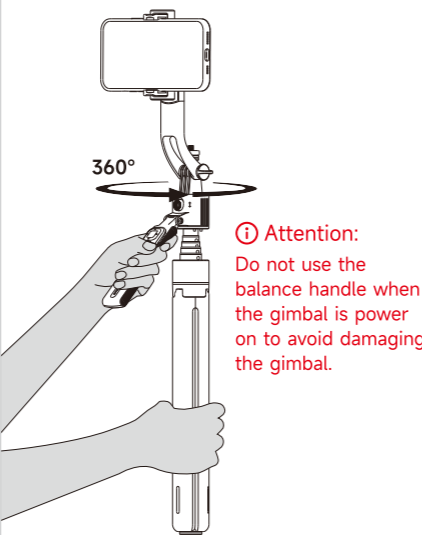
**Gimbal Charging**

When the power is too low, the red light flashes for 1 minute and then turn off. When charging, the red light is always on; when full, the red light is off.



**Using The Balance Handle**

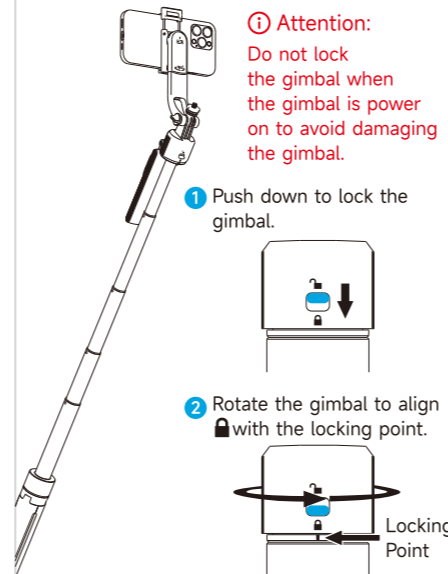
Balance handle effectively supports shooting anti-shake and can be horizontal 360° rotation to shoot panoramic photos.



**Attention:** Do not use the balance handle when the gimbal is power on to avoid damaging the gimbal.

**Switch To Selfie Stick Mode**

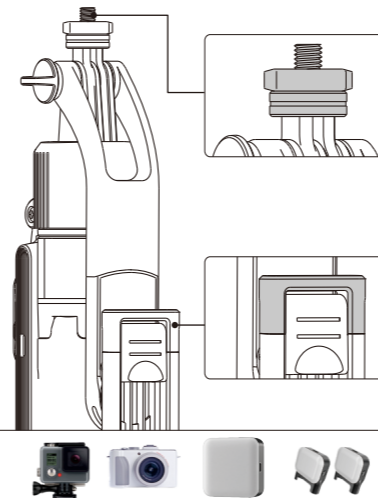
Lock the gimbal to switch to selfie stick mode.



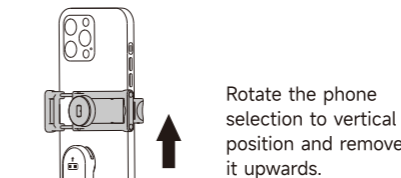
**Attention:** Do not lock the gimbal when the gimbal is power on to avoid damaging the gimbal.

**Widely Compatible**

1/4" interface is compatible with sports camera, digital camera, ring light, magic arm, etc. Phone mount can be used with double fill lights.



**Detachable Phone Clip**



**Phone Holder**



**Specification**

Remote Model	: TOKQIG08
Product Size	: 376.5X88X50.8mm
Main Material	: ABS+Aluminum Alloy
Clamping Range	: 60-95mm
Folded Length	: 376.5mm
Extended Length	: 1760mm
Product Weight	: 555g
Battery	: CR2032(Replaceable)
Gimbal Battery Capacity	: 850mAh
Gimbal Working Duration	: 1.3h(Rotation Mode)
Normal Working Duration	: 3.5h

**Attention**

- The remote contains battery, which should not be exposed to environments such as sunlight, fire or similar excessive heat. The remote control is not waterproof, do not expose it to water or corrosive liquids.
- Please do not place the product near heat sources, fire sources, such as ovens, stoves and so on.
- Please use the selfie stick tripod on a flat surface and keep it away from children to avoid tipping over and causing injury to children. The product contains small parts, please do not give the baby to play, to prevent swallowing!

**Thank you for your support!**

