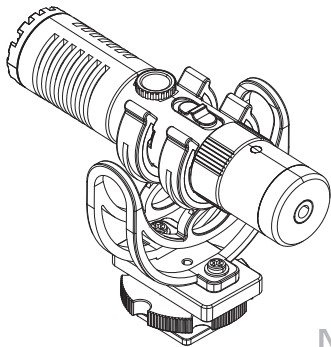


7RYMS



MinBo M1

Mini Super Cardioid Digital&Analog Dual-mode Shotgun Mic

User Manual

Foreword

Thanks for purchasing 7Ryms MinBo M1

Main Features

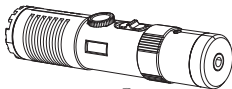
- Super Cardioid Pattern, Accurate Sound Pickup
- Digital / Analog Output Mode Switch, Universal for Camera and Smartphone
- Stepless Gain Control with Preamp in Digital Mode
- Support Real-time Monitor in Digital Mode
- No Power Driven, Plug and Play
- Professional Shock-mount, Effective Shock Absorption
- Full Metal Material, Super Shielding

Notice

- ⚠ When working with devices with Lightning interface in digital mode, it is necessary to purchase relevant audio output cable or audio adapter cable by yourself
- ⚠ Some smartphones with USB-C interface are incompatible in digital mode, such as VIVO and OPPO
- ⚠ When working in digital mode, the 3.5mm TRS audio output port is intelligently identified as the monitoring port, the gain control knob and digital mode indicator light are available only in digital mode

Item Check List

1. Microphone
2. Shock Mount
3. 3.5mm TRS -TRS Audio Cable
4. 3.5mm TRS -TRRS Audio Cable
5. 2-in-1 Audio Cable
6. Wind Muff
7. Carry Case
8. User Manual
9. Warranty Card



①



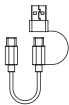
②



③



④



⑤



⑥



⑦

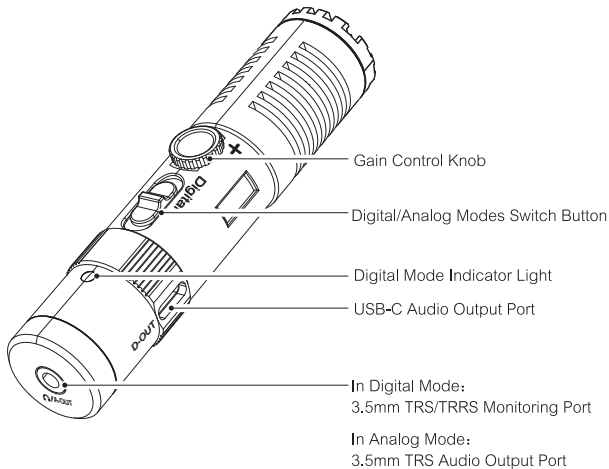


⑧



⑨

Components and Instruction



Gain Control Knob

Digital/Analog Modes Switch Button

Digital Mode Indicator Light

USB-C Audio Output Port

In Digital Mode:
3.5mm TRS/TRRS Monitoring Port

In Analog Mode:
3.5mm TRS Audio Output Port

1. When Working in Analog Mode:

1.1 Digital/Analog Modes Switch Button

Switch it to "Analog"

Digital



Analog

1.2 3.5mm TRS Audio Output Port

It can be inserted with 3.5mm TRS-TRS / 3.5mm TRS-TRRS audio cable for audio output



D/A-OUT

2. When Working in Digital Mode:

2.1 Digital/Analog Modes Switch Button

Switch it to "Digital"

Digital



Analog

2.2. Gain Control Knob

Turn clockwise to increase the volume

Turn counterclockwise to reduce the volume



2.3. USB-C Audio Output Port

It can be inserted with USB-C audio cable/audio adapter for audio output



2.4. Digital Mode Indicator Light

Connect microphone and USB devices through USB-C audio cable. When it is connected successfully, the digital mode indicator light is on (If the digital mode indicator light is not on, it may be caused by compatibility or other system problems)



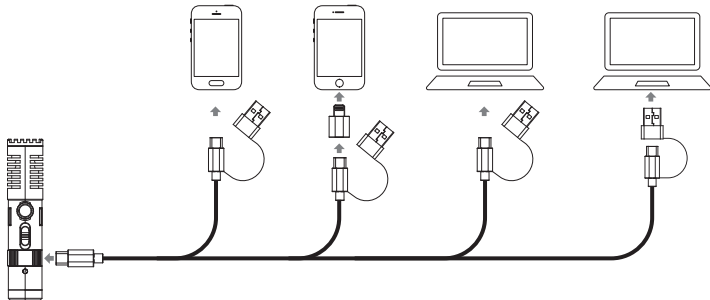
2.5. 3.5mm TRS/TRRS Monitoring Port

Insert headphone to monitor



Work with USB Devices in Digital Mode:

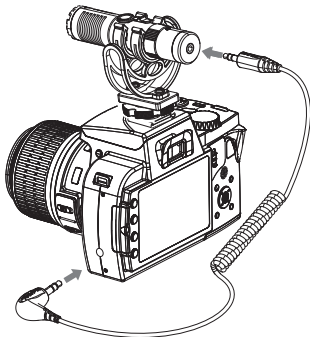
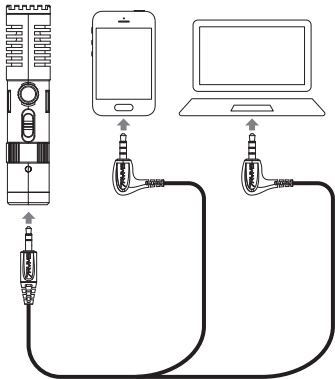
1. Switch digital/analog modes switch button to "Digital" mode
2. When working with smartphone or computer, it can be connected with audio cable/audio adapter based on your needs



When working with devices with Lightning interface in digital mode, please purchase relevant USB-C audio cable or adapter by yourself.

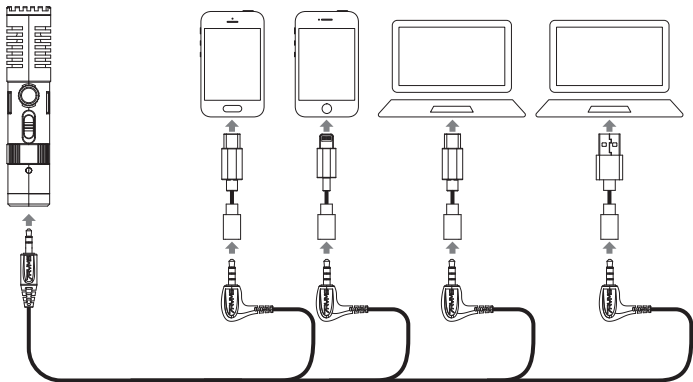
Work with 3.5mm Devices in Analog Mode:

1. Switch digital/analog modes switch button to "Analog" mode
2. When working with smartphone and computer, it can be connected through 3.5mm TRS-TRRS audio cable
3. When working with camera, it can be connected through 3.5mm TRS-TRS audio cable



Work with USB Devices in Analog Mode:

MinBo M1 can work with USB devices through corresponding audio adapter cable in analog mode
(Please purchase corresponding audio adapter cable by yourself)



Specification

Polar Pattern	Super Cardioid
Sensitivity	Analog Mode: $-35\pm 2\text{dB}$ Digital Mode: $-15\text{dB} \sim -35\text{dB} \pm 2\text{dB}$
Frequency Response	60Hz ~ 20kHz
Maximum SPL	120dB
S/N	70dB
Equivalent Noise	24dBA
Dynamic Range	96dB
Sampling Rate	48kHz
Bit Depth	24-bit
Output Port	3.5mm TRS / USB-C
Monitoring Port	3.5mm TRS/TRRS
Dimension	$\Phi 22\text{mm} * \text{L}92\text{mm}$
Net Weight	37g
Working Temperature	0°C ~ 50°C
Storage Temperature	-20°C ~ 60°C



Website: 7ryms.com

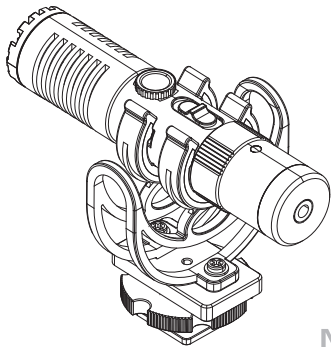
Facebook: 7RYMS

Instagram: 7ryms_official

YouTube: 7RYMS

The 7RYMS LOGO is a trademark which is registered and owned by
Errun Electronic Technology Co., Ltd

7RYMS



MinBo M1

迷你超心型数字&模拟双模式枪式麦克风

用户使用说明书

前 言

感谢您购买七语MinBo M1枪式麦克风

产品主要功能

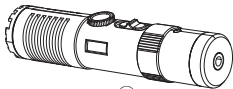
- 超心型指向，精准拾音
- 可切换数字/模拟双输出模式，通用于手机、相机
- 数字模式下支持前置放大增益调节
- 数字模式下支持实时监听
- 无电驱动，即插即用
- 专业减震支架，高效减震
- 全金属制造，超强屏蔽

注意事项

- ⚠ 在数字模式下，对于 Lightning接口的设备，需要自行配置相关音频输出线或转换线即可使用
- ⚠ 在数字模式下，部分USB-C接口的手机会出现不兼容的情况，如Vivo，OPPO
- ⚠ 在数字模式下，3.5mm TRS音频输出口被智能识别为耳机监听口，增益调节旋钮和数字工作状态指示灯仅在此模式下可使用

包装清单

1. 麦克风
2. 减震架
3. 3.5mm TRS-TRS 音频连接线
4. 3.5mm TRS-TRRS 音频连接线
5. 二合一音频连接线
6. 防风毛
7. 便携包
8. 说明书
9. 保修卡



①



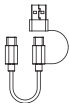
②



③



④



⑤



⑥



⑦

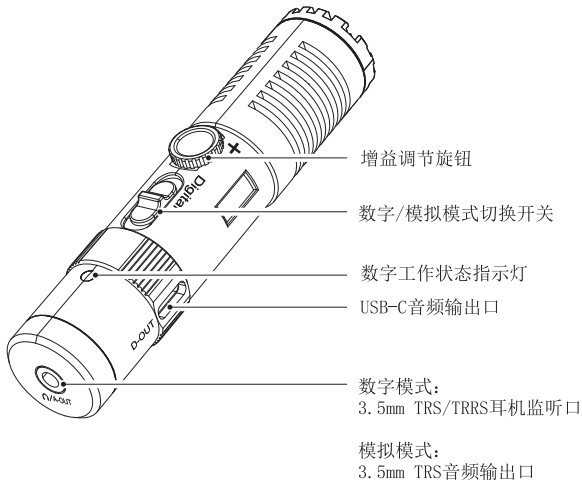


⑧



⑨

部件介绍及说明



1. 模拟模式下:

1.1. 数字/模拟模式切换开关

切换到“Analog”模式

Digital



Analog

1.2. 3.5mm TRS音频输出插口

插入3.5mm TRS-TRS / 3.5mm TRS-TRRS音频连接线进行音频输出



⌚/A-OUT

2. 数字模式下:

2.1. 数字/模拟模式切换开关

切换到“Digital”模式

Digital



Analog

2.2. 增益调节旋钮

顺时针旋转增加音量；逆时针旋转减小音量



2.3. USB-C音频输出插口

插入USB-C音频连接线/转接头进行音频输出



2.4. 数字工作状态指示灯

使用USB-C连接线连接麦克风和USB设备，当成功连接后，数字工作状态指示灯长亮（如指示灯不亮，可能是兼容问题或其他系统问题导致）



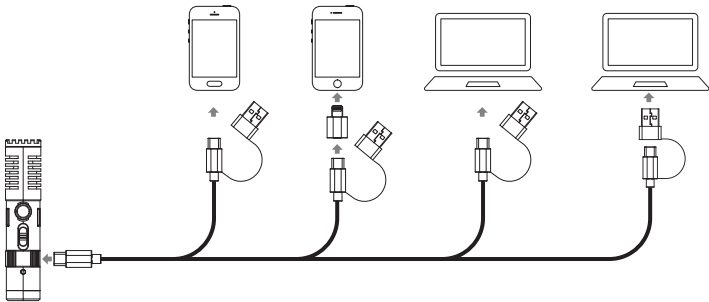
2.5. 3.5mm TRS/TRRS耳机监听插口

插入耳机进行监听



数字模式下搭配USB设备使用：

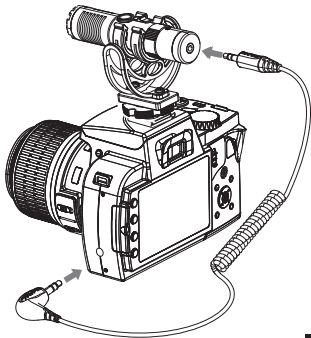
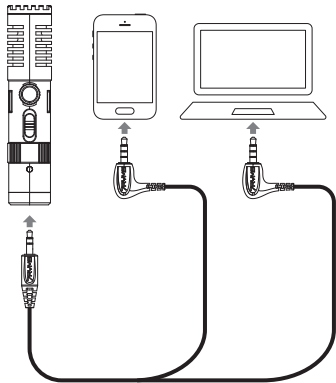
1. 将数字/模拟模式切换开关切换到“Digital”模式
2. 搭配手机或电脑使用时，通过相关音频连接线/转接头连接即可



在数字模式下，对于Lightning接口的设备，请自行配置相关USB-C音频连接线或转接头即可使用

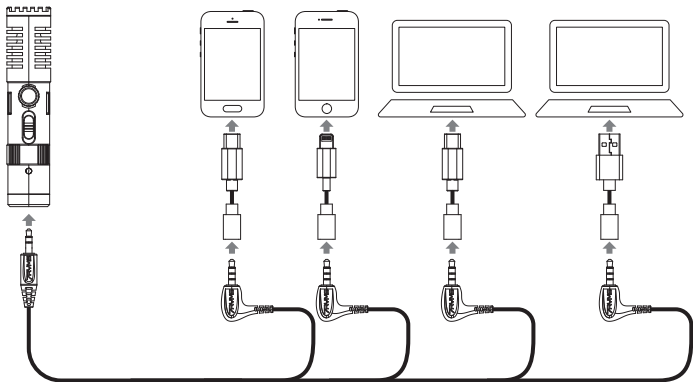
模拟模式下搭配3.5mm设备使用：

1. 将数字/模拟模式切换开关切换到“Analog”模式
2. 搭配手机或电脑使用时，通过3.5mm TRS-TRRS音频连接线连接即可
3. 搭配相机使用时，通过3.5mm TRS-TRS音频连接线连接即可



模拟模式下搭配USB设备使用：

需搭配相关音频转接线使用（转接线请自行购买）



技术规格

指向性	超心型指向
灵敏度	模拟输出: $-35\pm 2\text{dB}$ 数字输出: $-15\text{dB} \sim -35\text{dB} \pm 2\text{dB}$
频响	60Hz ~ 20kHz
最大声压级	120dB
信噪比	70dB
等效噪声	24dBA
动态范围	96dB
采样率	48kHz
位深	24-bit
输出接口	3.5mm TRS / USB-C
监听接口	3.5mm TRS/TRRS
尺寸	$\Phi 22\text{mm} * \text{L}92\text{mm}$
净重	37g
工作温度	0°C ~ 50°C
储存温度	-20°C ~ 60°C



扫二维码关注
七语官方公众号



7RYMS七语麦克风



7RYMS七语



七语影音旗舰店



7RYMS七语

邮箱: support@7ryms.com

电话: 400-8303-981

网址: www.7ryms.com

版权及七语商标归尔润电子科技有限公司所有