



# K15

## LOOR OVERHEAD RGB RING LIGHT STAND KIT

User Manual

Please read this manual sheet before using

### Foreward

Thank you for purchasing the VIJIM

### Instructions

- Please read this product manual carefully.
- Keep this product manual. Always include this product manual when passing the products on to third parties.
- Heed all warnings and follow all instructions in this product manual.

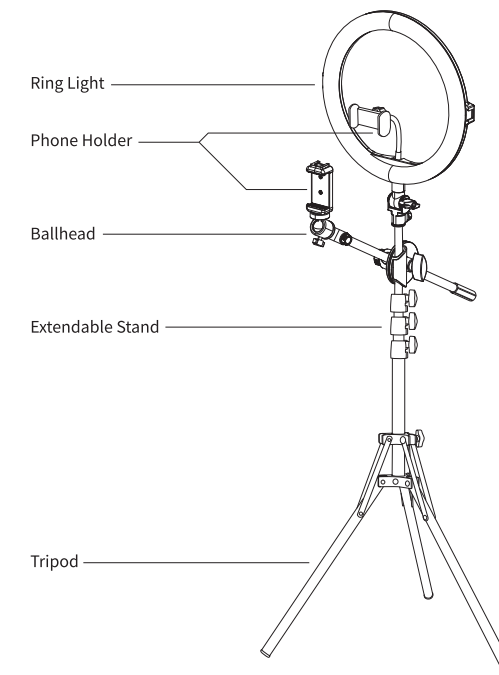
### WARNING

**Do not place the product in a place where there are corrosive chemicals to protect the product from corrosion, corrosion may cause the product to malfunction .**

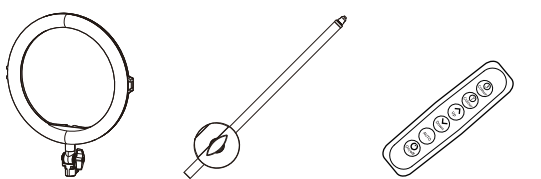
- Use only a microfiber and dry cloth for cleaning the product.
- Operate carefully to not cause any damage by dropping or physical shocking it.
- Do not leave the product in excessive heat, high temperatures can cause the product to malfunction.
- Please have the product checked by the authorized service or agent if your product has some problems. Please note that this warranty does not apply to repair arising out of the malfunction of unauthorized disassembly, although you may request such repairs on a chargeable basis.
- Use of original VIJIM cable accessories is recommended. Please note that this warranty does not apply to repairs arising out of the malfunction of non-original VIJIM accessories, although you may request such repairs on a chargeable basis.
- The product is certificated by RoHS and CE. Please operate the product in full compliance with the operation standards. Please note that this warranty does not apply to repair arising from malfunction, although you may request such repairs on a chargeable basis.
- The instructions and information in this manual are based on thorough, controlled company testing procedures. Further notice will not be given if the design and specifications change.

### Intended Use

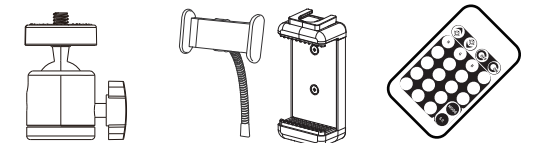
- The user has read the instructions of this manual.
- The user is using the products within the operating conditions and limitations described in this product manual.
- "Improper use" means using the products other than as described in these instructions or under operating conditions which differ from those described herein.



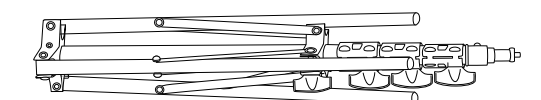
### Packing List :



Ring Light\*1  
Clip Type Telescopic Rod\*1  
Cable Connected Controller\*1

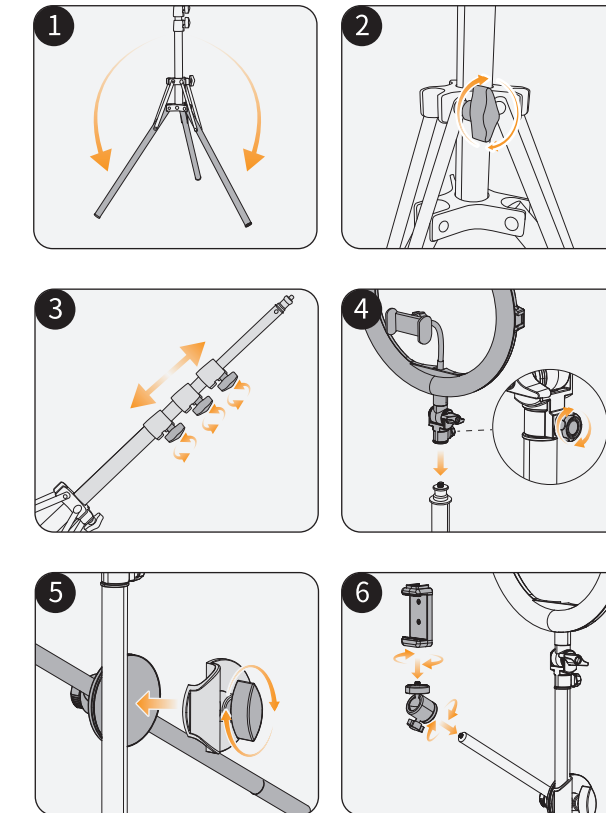


Ballhead\*1  
Phone Holder\*2  
Wireless Remote Control\*1

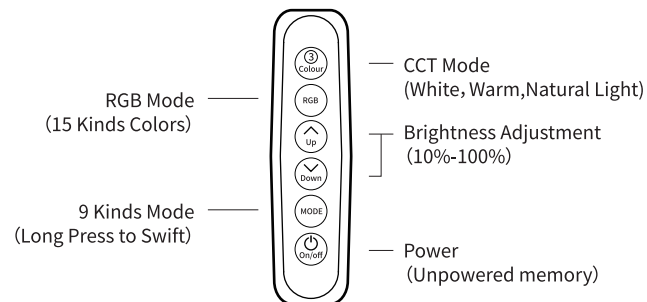


Tripod\*1

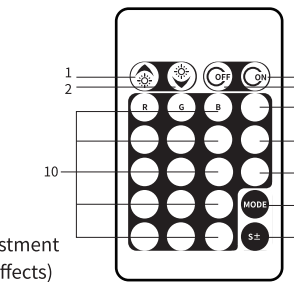
### Instruction



### Function & Display



1. Brightness Increase
2. Brightness Decrease
3. Power On
4. Power Off
5. White Light
6. Natural Light
7. Warm Light
8. Mode Switch
9. RGB Effect Speed Adjustment
10. RGB Mode (Without Effects)



### Parameters

LEDs	White	54	Power	12W
	Warm	54	Working Voltage	DC5V
	RGB	48	Temperature	3200-6500k
CRI		CRI 95+	Size	11in

