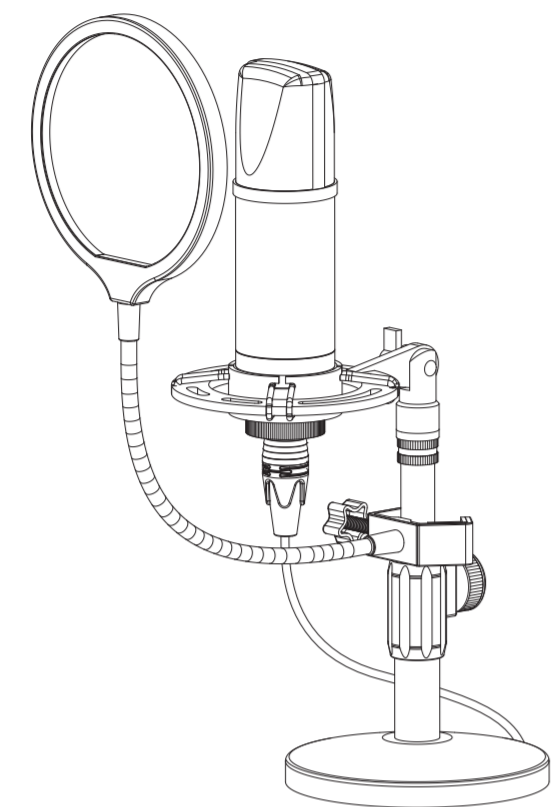


7RYMS



**AX100D**  
Cardioid Condenser XLR Microphone Kit  
**User Manual**

**Foreword**

Thanks for purchasing 7RYMS Cardioid Condenser XLR Microphone Kit AX100D

**Main Features**

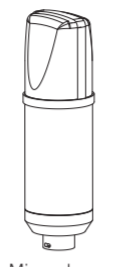
- 16mm Cardioid Condenser Microphone for Professional Studio Quality
- Extended Dynamic Range and High SPL for Detailed Sound
- XLR Interface Output, Support 48V Phantom Power
- Shock-mount and Pop Filter to Effectively Filter Airflow
- Equipped with Desktop Mic Stand, Flexible Extension and Combination
- Full Metal Material, Excellent Shielding Performance

**Notice**

- △ Please aim the front "7RYMS" logo of the microphone at the sound source to get an excellent recording
- △ This product needs 48V phantom power supply
- △ Do not use or store the equipment near any heat sources or interference sources, such as radiator, oven, refrigerator or air conditioner
- △ This product is a high-precision product, please prevent it from dropping or colliding
- △ Do not use the equipment in rain or in the damp environment to avoid short-circuit danger
- △ Please keep the product in the dry environment

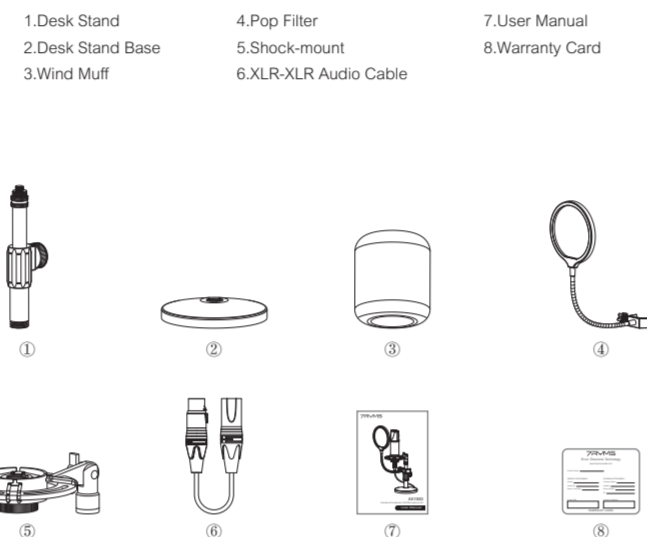
**Packing List**

**Main Part:**

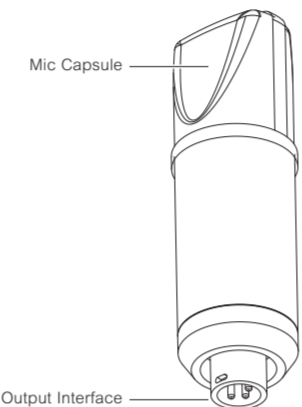


Microphone

**Accessories:**

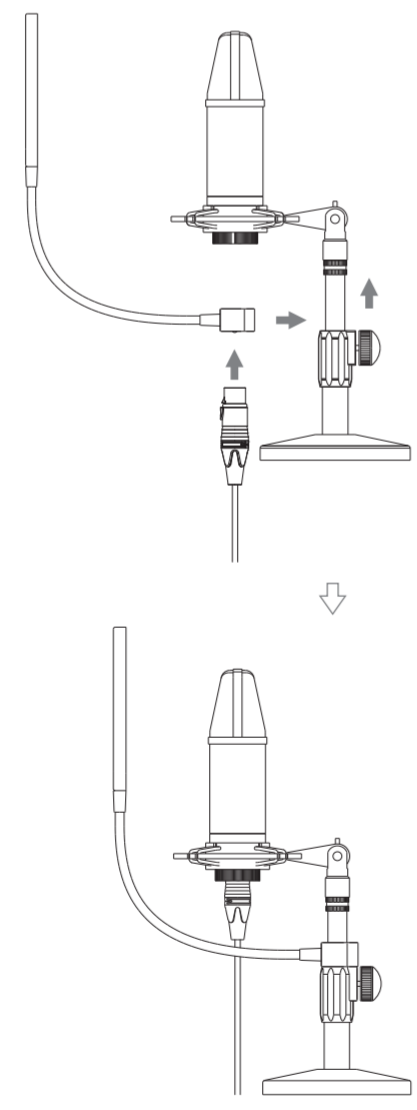
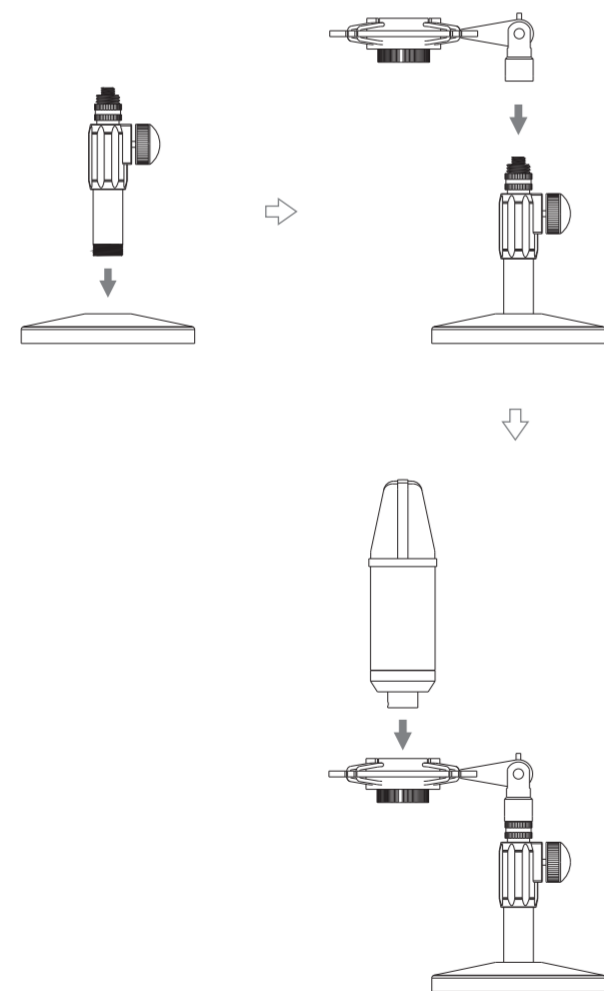


**Components and Introduction**



XLR Output Interface

**Installation and Usage**



**Specifications**

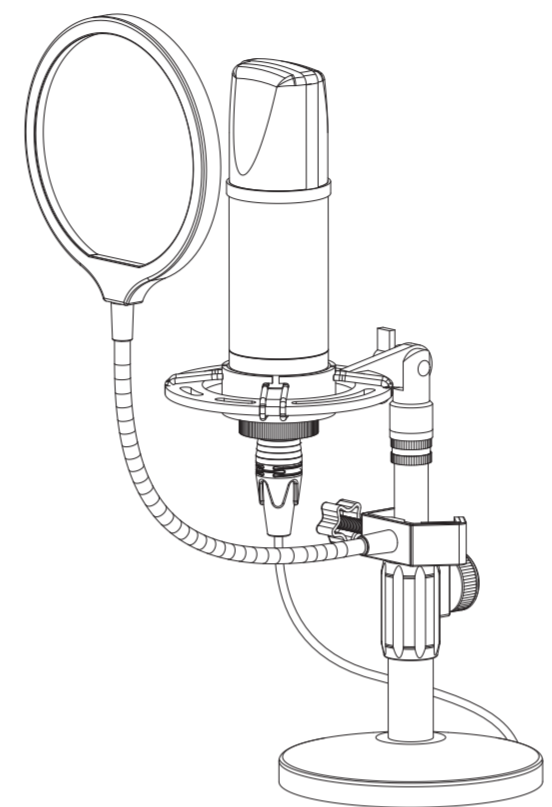
Acoustic Principle	Condenser
Polar Pattern	Cardioid
Sensitivity	-40dB±2dB
Frequency Response	20Hz - 20kHz
Maximum SPL	130dB SPL (0% THD)
S/N	70dB SPL(A-weighted,as per IEC651)
Equivalent Noise	24dBA SPL(A-weighted,as per IEC651)
Dynamic Range	105dB SPL(A-weighted,as per IEC651)
Output Interface	XLR
Phantom Power	48V±2V
Net Weight	208g
Dimension	48 × 48 × 155mm
Operating Temperature	0°C - 50°C
Storage Temperature	-20°C - 40°C



Website: 7ryms.com  
Facebook: 7RYMS  
Instagram: 7ryms\_official  
YouTube: 7RYMS

The 7RYMS LOGO is a trademark which is registered and owned by Errun Electronic Technology Co., Ltd

7RYMS 七语



**AX100D**  
心型电容XLR麦克风套装  
**用户使用说明书**

**前言**

感谢您购买七语心型电容XLR麦克风套装AX100D

**产品主要功能**

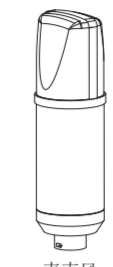
- 16mm心型电容单元，专业音频音质
- 优质大动态范围及高声压级，还原声音细节
- XLR输出，支持48V幻象电源
- 防喷及减震设计，有效消除杂音
- 搭配金属固定支架，可灵活组合
- 全金属材质，优异屏蔽性能

**注意事项**

- △ 请将声音对准正面的7RYMS logo以获得更好的录音效果
- △ 本产品需要48V幻象电源
- △ 请勿将本设备放置在热源或干燥剂附近使用，如微波炉、烤箱、烤箱、空调等
- △ 本产品属于精密仪器类产品，请避免使用时掉落、碰撞或震动
- △ 不要在雨或潮湿的环境下使用本设备，否则会有短路的风险
- △ 请在干燥环境中对产品进行保存

**包装清单**

**主体:**

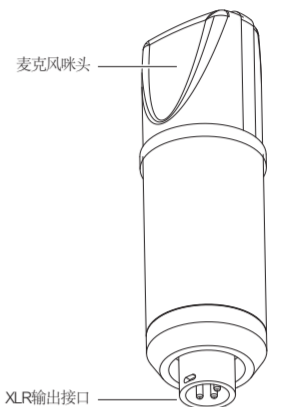


麦克风

**配件:**

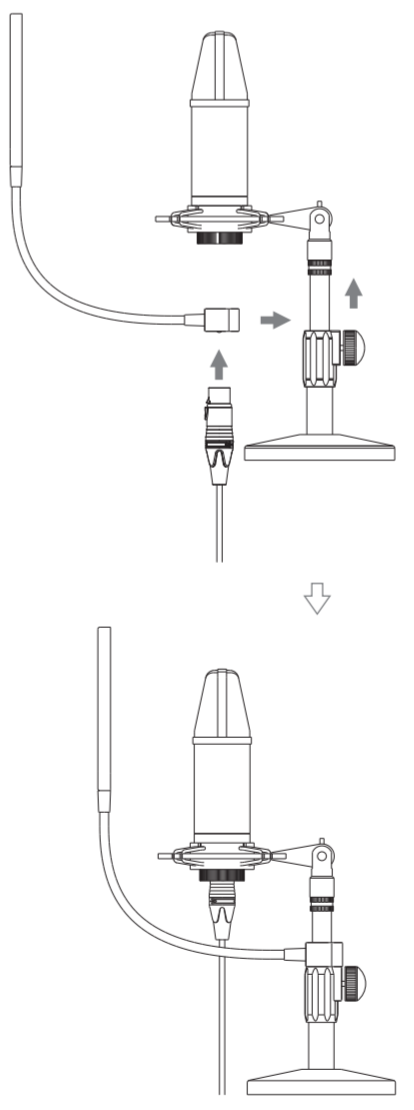
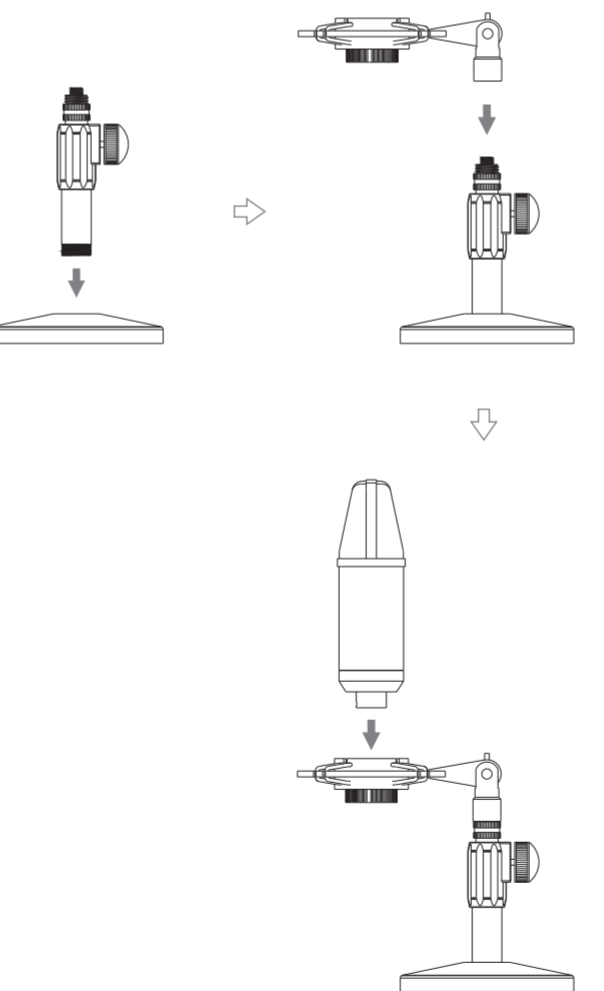


**部件介绍及说明**



XLR输出接口

**安装与使用方法**



**技术规格**

声学原理	电容式
指向性	心型指向
麦克风灵敏度	-40dB±2dB
麦克风频率范围	20Hz - 20kHz
最大声压级	130dB SPL (0% THD)
信噪比	70dB SPL(A-weighted,as per IEC651)
等效噪声	24dBA SPL(A-weighted,as per IEC651)
动态范围	105dB SPL(A-weighted,as per IEC651)
输出接口	XLR
幻象电源	48V±2V
产品重量	208g
产品尺寸	48 × 48 × 155mm
工作温度	0°C - 50°C
储存温度	-20°C - 40°C



扫二维码关注  
七语官方公众号

- 7RYMS 七语麦克风
- 7RYMS 七语
- 七语官方旗舰店
- 7RYMS 七语

邮箱: support@7ryms.com  
电话: 400-8303-981  
网址: www.7ryms.com  
版权及七语商标归尔润电子科技有限公司所有